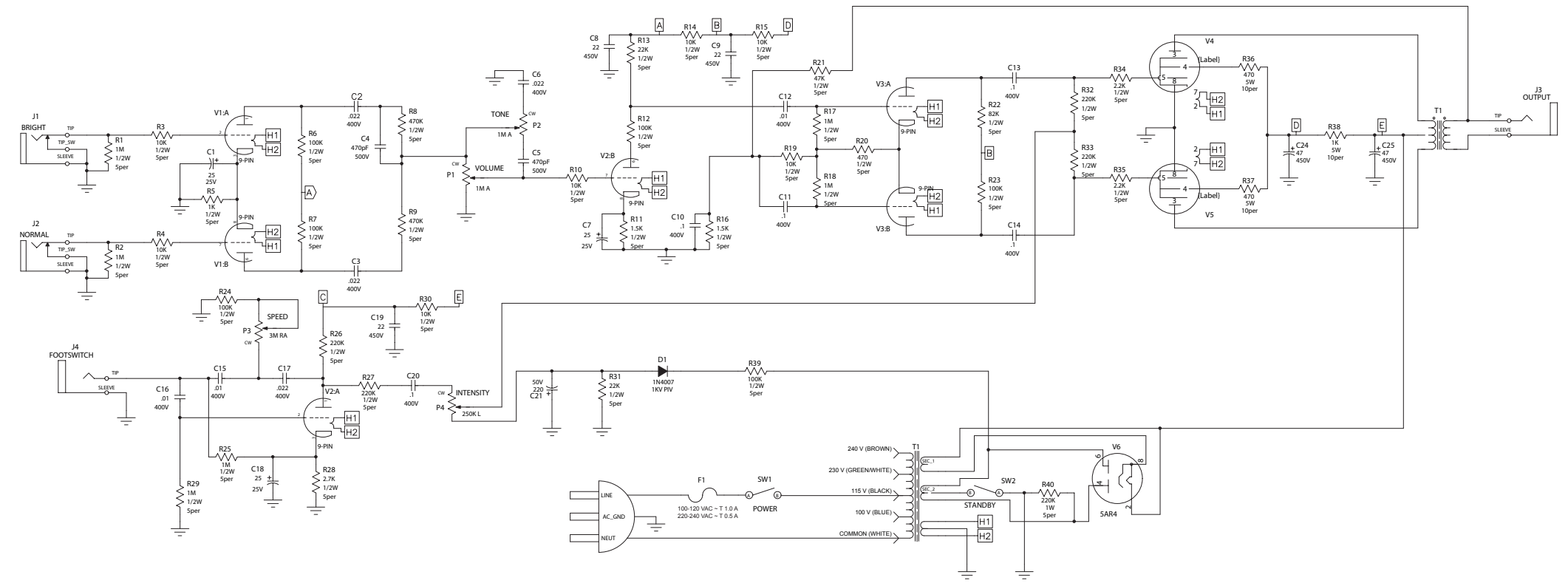



DWG. NO.	133SCH_1		SH	REV.	1
REVISIONS					
CHANGE #	REV	DESCRIPTION	DATE	REV BY	



UNLESS OTHERWISE SPECIFIED DIMENSIONS ARE IN MILLIMETERS TOLERANCES ARE: FRACTIONS DECIMALS ANGLES %%p .XX %%p %%p .XXX %%p	APPROVALS DRAWN <b>WFB</b> CHECKED ISSUED	DATE <b>08-May-07</b>
MATERIAL		
COLOR/FINISH		
DO NOT SCALE DRAWING		

 <b>LOUD Technologies Inc.</b> SAINT LOUIS, MISSOURI U.S.A.			
<b>J20 Schematic</b>			
SIZE <b>D</b>	ARTWORK NO.	DWG. NO. <b>133SCH_1</b>	REV.
SCALE <b>1.000</b>			SHEET <b>1 OF 1</b>

THE INFORMATION CONTAINED HEREIN IS  
 PROPRIETARY AND CONFIDENTIAL PROPERTY OF  
 LOUD TECHNOLOGIES INC. ALL RIGHTS RESERVED